

MELIK

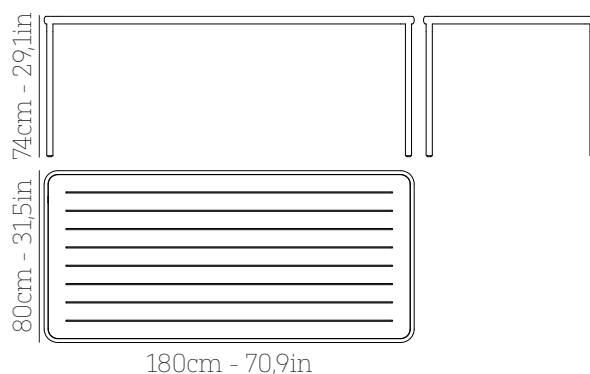
Design BrogliatoTraverso



Rectangular table 180 cod. MLKTL180

Steel frame
Top in steel, HPL or Iroko

8 persons



* 2D and 3D files are available at www.babel.it

Anticorrosive primer®

Application of a coat of protective anticorrosive epoxy resin-based paint.

Powder coating

60-80µm polyester powder coating for outdoor resistance and high protection.



Steel maintenance

BABEL D products are treated to guarantee a long service life while preserving their functional and aesthetic qualities. BABEL D products will last longer if you take care of them by cleaning them with a soft cloth and water or neutral detergents every three to six months, depending on the

environmental and climatic conditions.

Do not use abrasive detergents and brushes. Be careful using BABEL D products in marine environments with high humidity or near swimming pools, especially in closed environments if chlorine is used as a disinfectant.

Rectangular table 180 cod. MLKTL180

Top in HPL (High Pressure Laminate)

HPL consists of layers of paper impregnated with thermosetting resins and compacted with decorative paper and a protective coating. It is a self-supporting durable material suitable for outdoor use as it is resistant to weathering. Available in three different colours and textures (white, rust or concrete effect).

Maintenance

HPL tabletops can be washed with water and dried with a soft cloth. If necessary, use a sponge or a cleaner suitable for laminates and dry the surface with a cloth to avoid marks.

Do not use powders or abrasive cleaners.



Top in IROKO

Iroko wood has many properties: in particular, it is resistant to mechanical stress and weathering such as changes in temperature, humidity and UV rays. It is easy to cut despite its hardness. Iroko is characterised by its golden yellow to yellow-brown colour, which tends to darken after seasoning to a warm shade. Iroko is considered a 'fat wood' because it is resistant to water and humidity. It is perfect for furnishing gardens, terraces and porches and has an extremely long life and use.

Maintenance

For daily cleaning you can use a soft cloth dampened with water and a mild liquid soap. Over time, natural iroko will take on a grey colour due to exposure to sunlight and weathering. Iroko protects itself thanks to its natural oils, which make it waterproof.

Every 4 to 6 months you can clean the product with a neutral detergent, sand it gently with fine-grit sandpaper and then apply a coat of water-based impregnation and wax with a brush.

