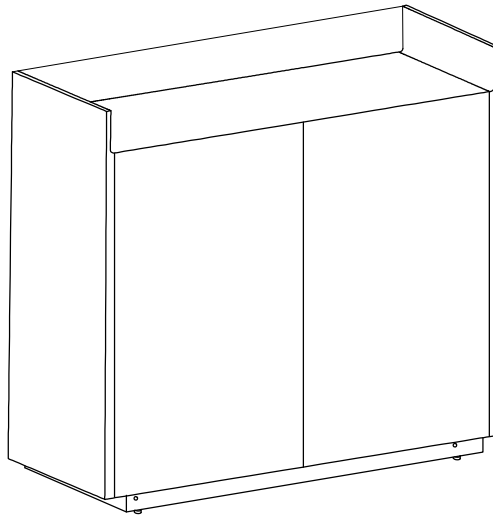


***punt***

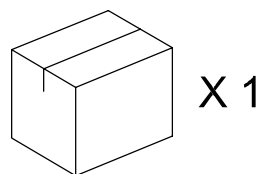
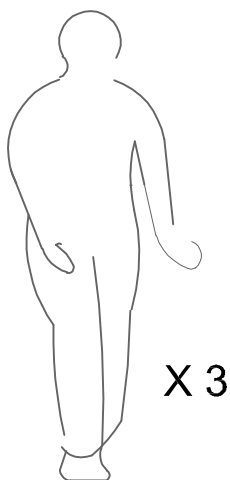
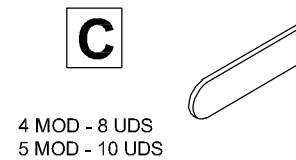
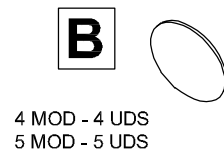
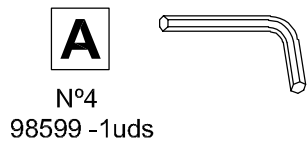
Art, craft & design



# STOCKHOLM

ASSEMBLY INSTRUCTIONS

## FITTINGS STH CUPBOARD 2/3 MOD HERRAJES



# STOCKHOLM

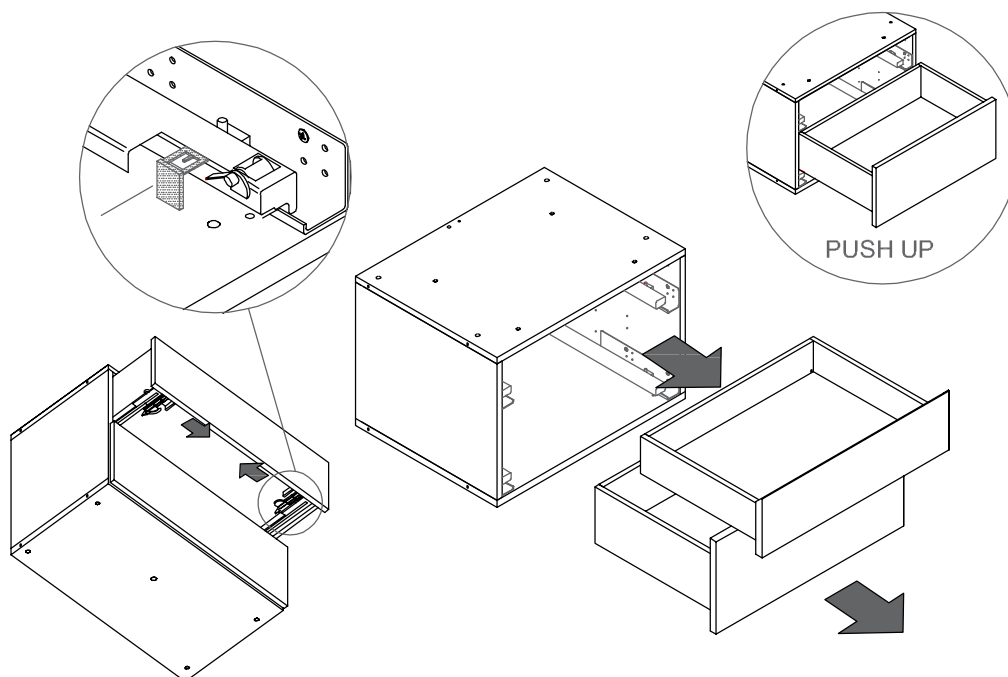
BY MARIO RUIZ, 2015

*punt*

SOLO SI LLEVA CAJONES, SI NO IR A PASO 1  
ONLY IF IT HAS DRAWERS, IF NOT GO TO STEP 1

## 1A REMOVE DRAWERS. QUITAR CAJONES.

### 1.1A MOVE EYELASHES IN. MOVER PESTAÑAS HACIA DENTRO.



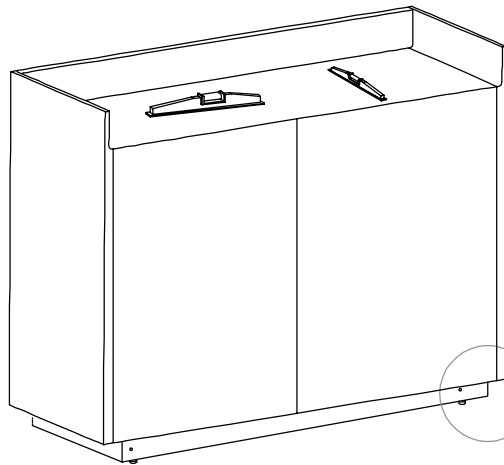
### 1.2A REMOVE DRAWERS. SACAR CAJONES.

# STOCKHOLM

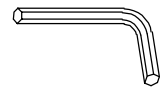
BY MARIO RUIZ, 2015

*punt*

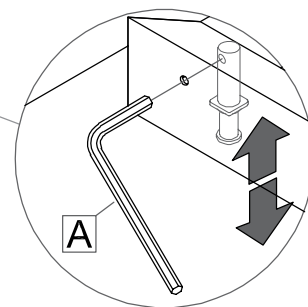
## 1 ADJUSTMENT REGULACIÓN



**A**



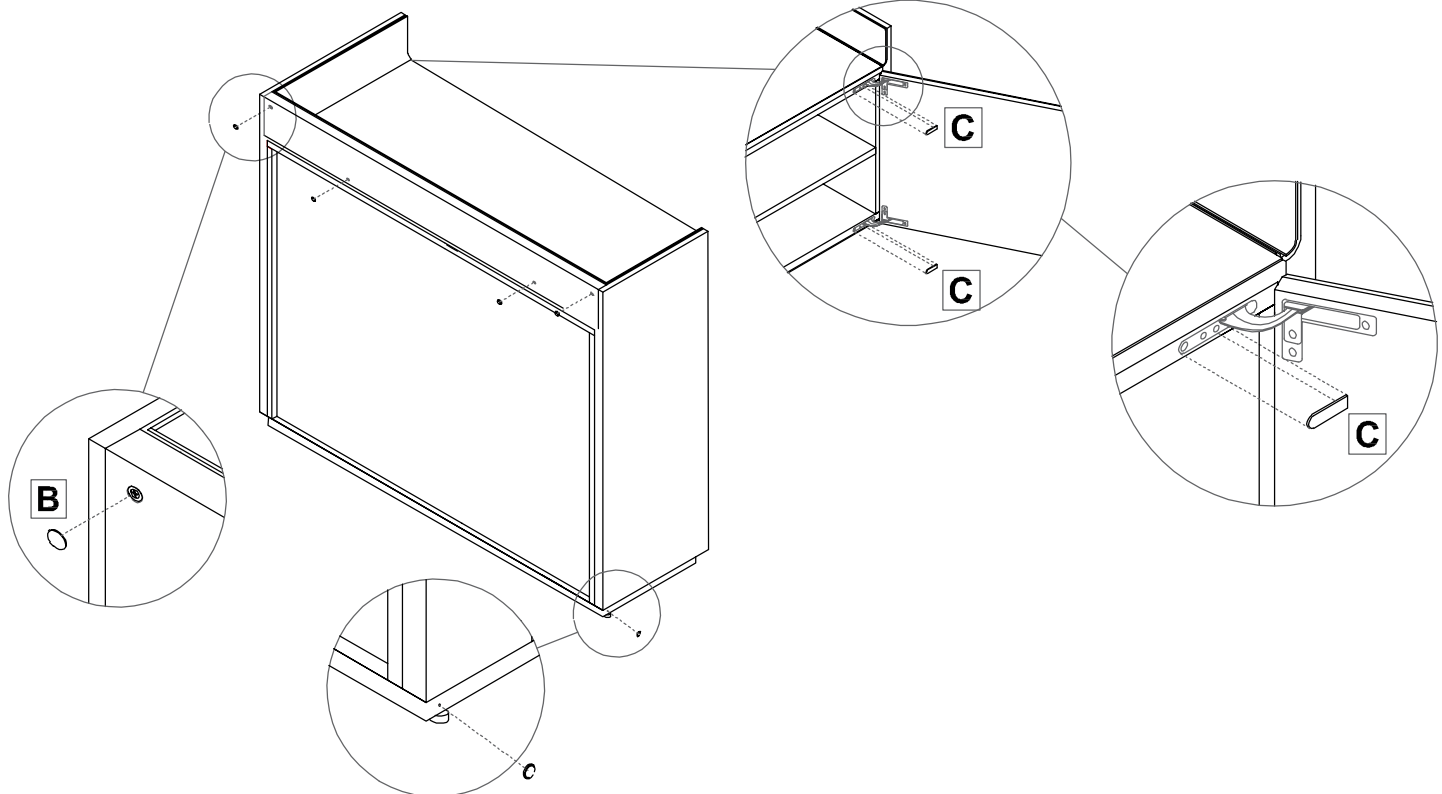
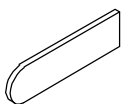
Nº4  
98599 -1uds



## 2 COLOCAR TAPONES EMBELLECEDORES FITTING TRIM PLUGS

**B**

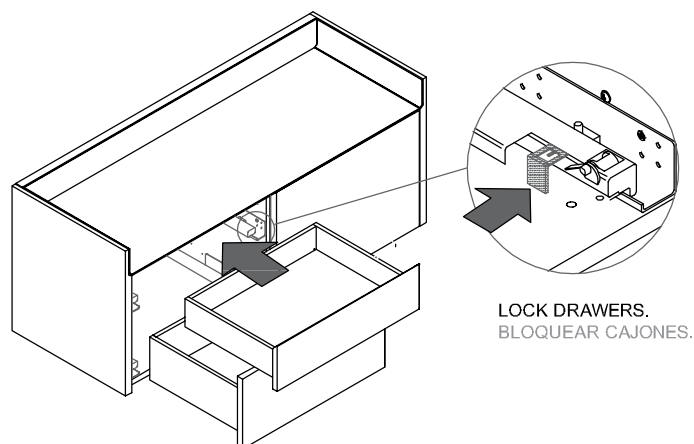
**C**



## ONLY IF IT HAS DRAWERS SOLO SI LLEVA CAJONES

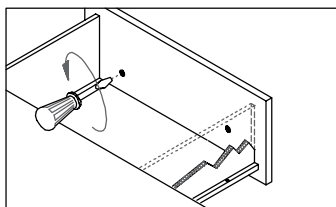
### 3A

PLACE DRAWERS.  
COLOCAR CAJONES.



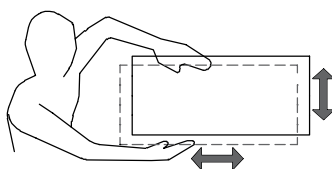
## DRAWER REGULATION REGULACIÓN CAJONES

### 3.1



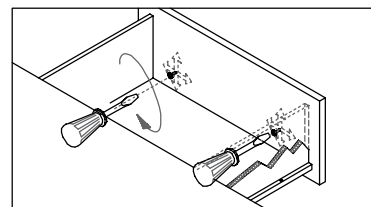
TURN BOTH SCREWS TO ADJUST  
THE DRAWER BORDER.  
GIRA AMBOS TORNILLOS PARA  
AJUSTAR LA FRONTERA DEL  
CAJÓN.

### 3.2



MOVE TO POSITION THE BORDER.  
MOVER PARA POSICIONAR LA  
FRONTERA.

### 3.3

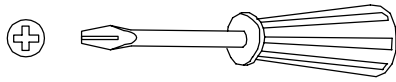


SCREW TO LOCK THE BORDER.  
ATORNILLAR PARA BLOQUEAR  
LA FRONTERA.

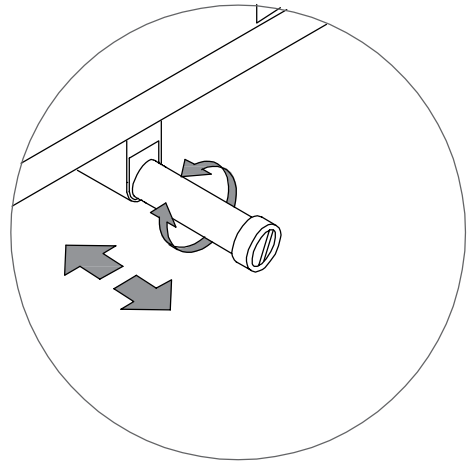
# DOOR ADJUSTMENT

LUCCA, FIRENZE, STOCKHOLM, MALMÖ, VELASCA

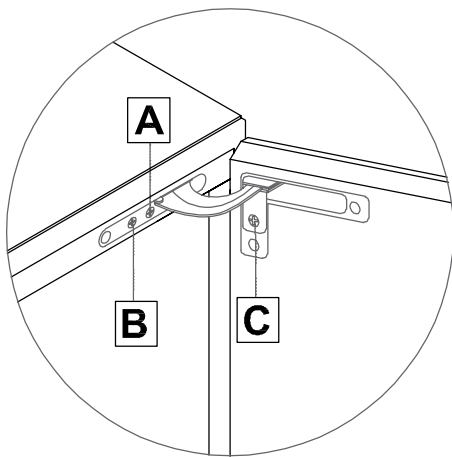
*punt*



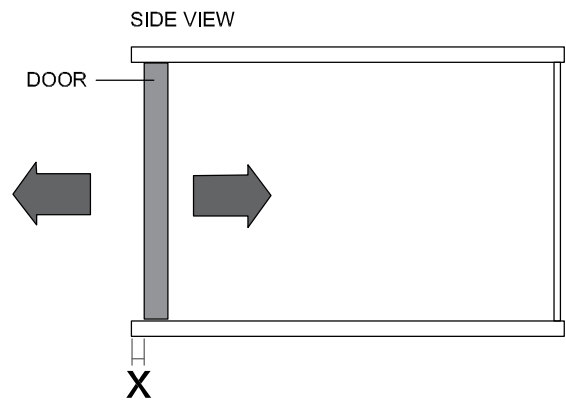
USE A PHILLIPS SCREWDRIVER FOR DOOR ADJUSTMENT.  
USAR DESTORNILLADOR DE ESTRELLA PARA LA REGULACIÓN DE PUERTAS.



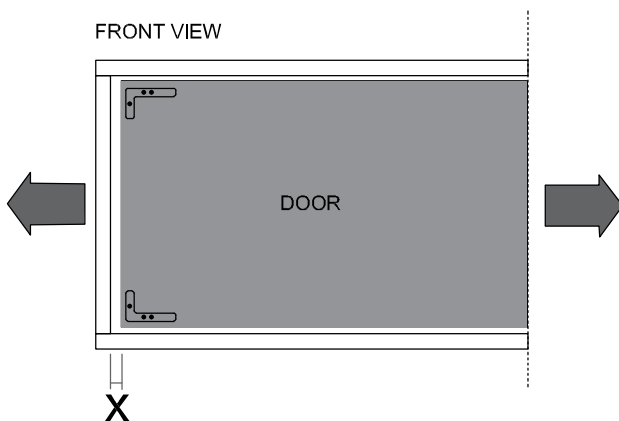
WITH THE EJECTOR OUT TO ROTATE TO INCREASE OR DECREASE ITS LENGTH.  
CON EL EXPULSOR FUERA GIRAR PARA AUMENTAR O DISMINUIR SU LARGO.



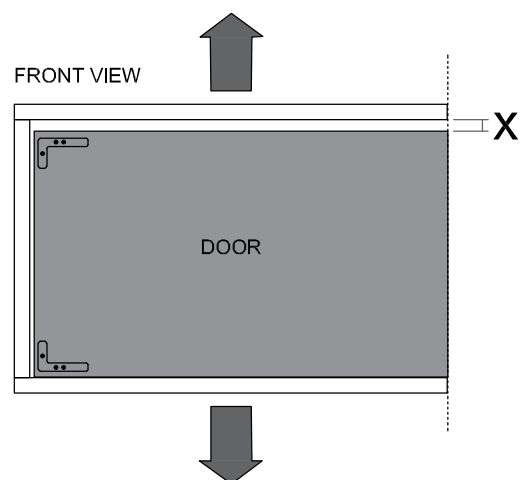
REGULAR BOTH AT THE TOP AND BOTTOM.  
REGULAR TANTO EN PARTE SUPERIOR COMO EN INFERIOR.



**A** MOVES THE DOOR IN AND OUT BY INCREASING OR DECREASING THE X-DISTANCE.  
METE Y SACA LA PUERTA AUMENTANDO O REDUCIENDO LA DISTANCIA EN X.



**B** MOVES THE DOOR CLOSER AND FURTHER AWAY BY INCREASING OR DECREASING THE X-DISTANCE.  
ACERCA Y ALEJA LA PUERTA AUMENTANDO O REDUCIENDO LA DISTANCIA EN X.



**C** RAISES AND LOWERS THE DOOR BY INCREASING OR DECREASING THE X-DISTANCE.  
SUBE Y BAJA LA PUERTA AUMENTANDO O REDUCIENDO LA DISTANCIA EN X.