



shelf n° 4
muller van severen
valerie
objects

MOUNTING INSTRUCTION SHELF n°4

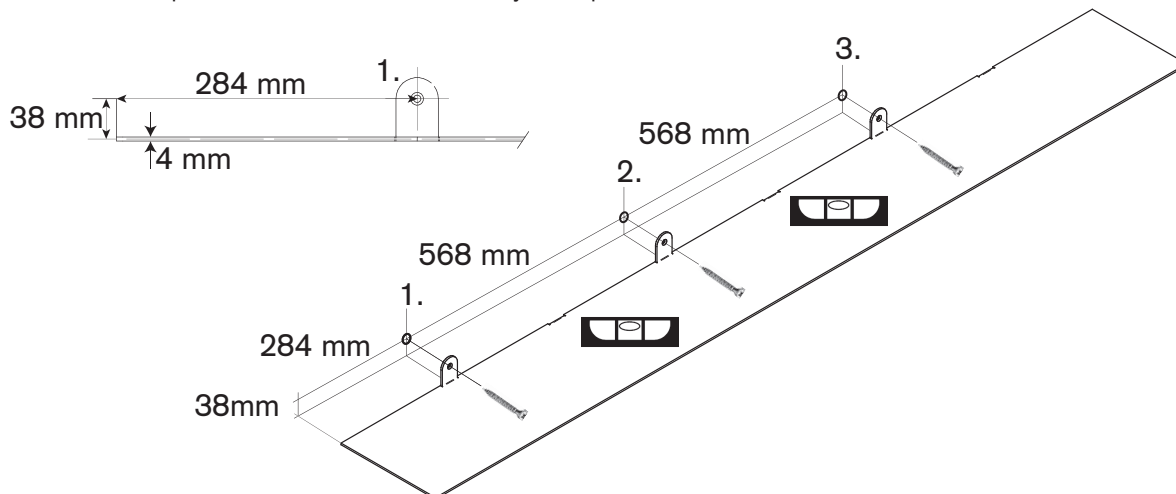
V9017103LG / MU / R / W / Z

1988 x 250 x 116 mm / max 25 kg

1. - draw a horizontal thin pencil line on the wall at the desired height
- shelf N° 4 / total length is 1988mm

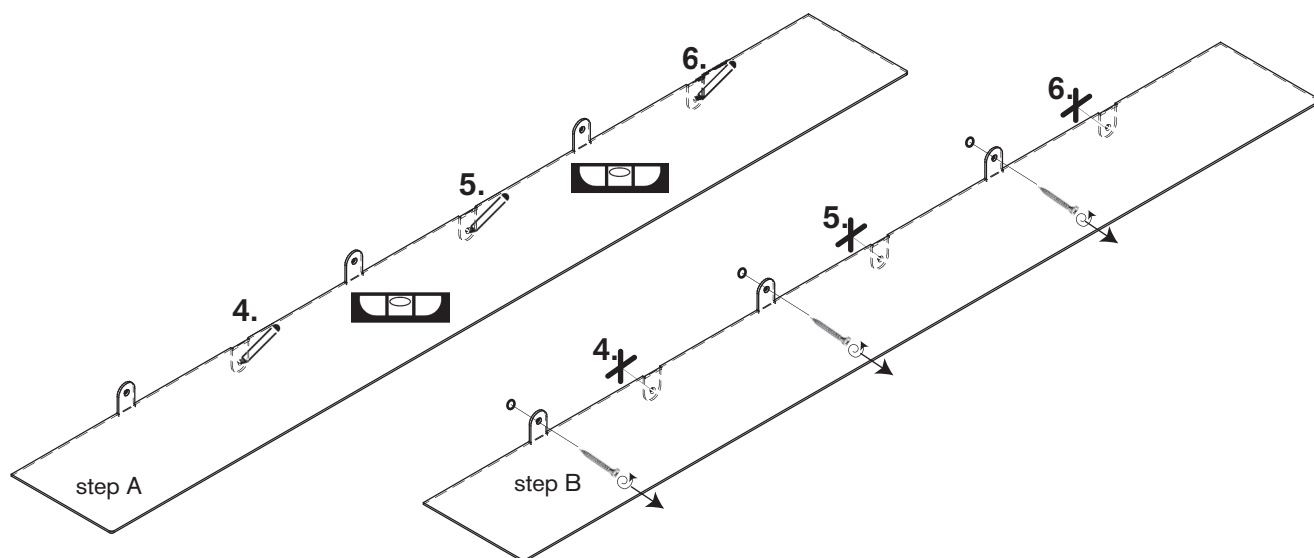


2. - indicate the 3 drillholes precisely above the shelf while holding the shelf to the wall
- minimum 2 persons needed / check carefully with spirit level



3. - drill the first 3 holes / predrill with \varnothing 6mm, and drill final hole with \varnothing 8mm
- screw by hand the full coloured wall screws into the connection points! not completely tight to the end!

4. - step A / indicate the extra 3 holes (4/5/6) while the shelf is mounted to the wall / check with spirit level
- step B / unscrew by hand the 3 wallscrews



5. - drill the extra 3 holes (4/5/6) / predrill with \varnothing 6mm and drill final hole with \varnothing 8mm
- screw by hand the full coloured wall screws into all 6 connection points! not completely tight to the end!
- screw all connections tight, starting from the middle towards both ends left and right, check horizontal position using a spirit level
- small adjustments are still possible when screws are not fully tightened