



muller van severen
shelf n° 3

valerie
objects

MOUNTING INSTRUCTION SHELF n°3

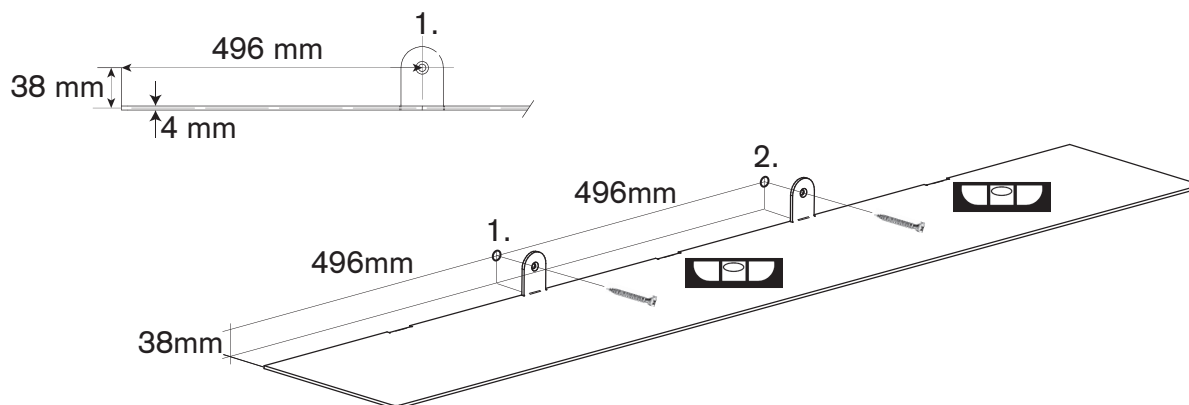
V9017102LG / MU / R / W / Z

1488 x 250 x 116 mm / max 20 kg

1. - draw a horizontal thin pencil line on the wall at the desired height
- shelf N° 3 / total length is 1488mm

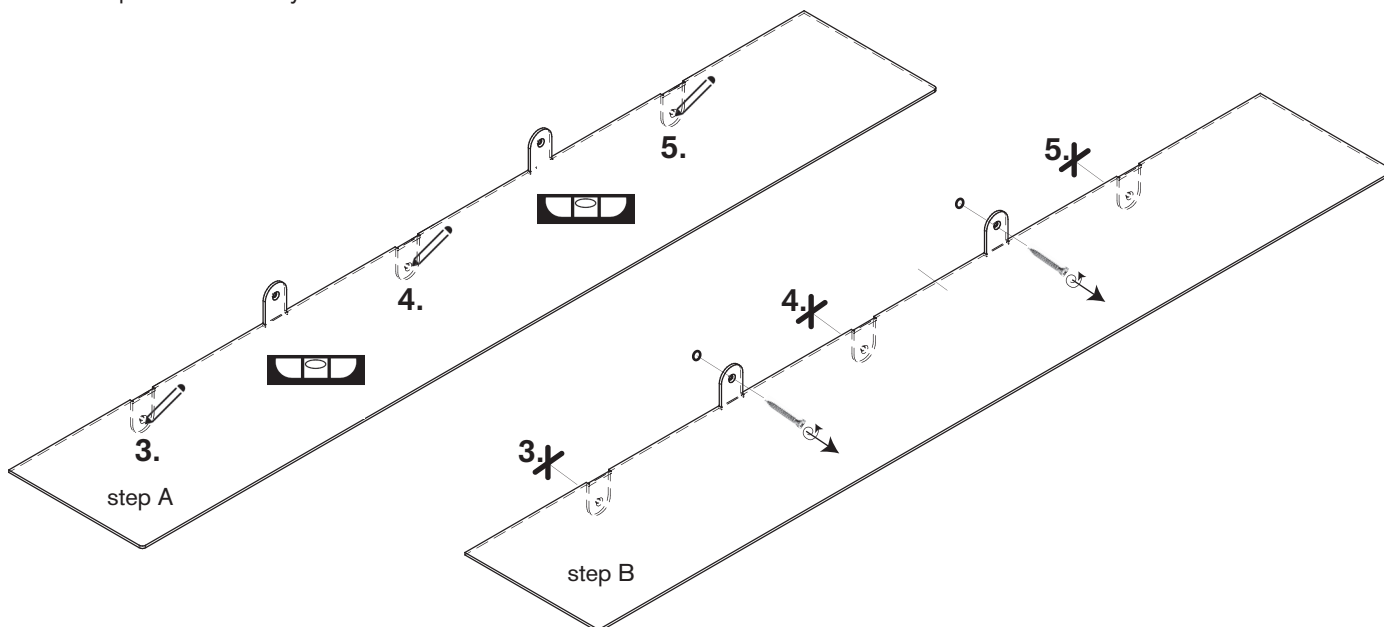


2. - indicate the 2 drillholes precisely above the shelf while holding the shelf to the wall
- minimum 2 persons needed / check carefully with spirit level



3. - drill the first 2 holes / predrill with \varnothing 6mm, and drill final hole with \varnothing 8mm
- screw by hand the full coloured wall screws into the connection points! not completely tight to the end!

4. - step A / indicate the extra 3 holes (3/4/5) while the shelf is mounted to the wall
- step B / unscrew by hand the 2 wallscrews



5. - drill the extra 3 holes (3/4/5) / predrill with \varnothing 6mm and drill final hole with \varnothing 8mm
- screw by hand the full coloured wall screws into all 5 connection points! not completely tight to the end!
- screw all connections tight, starting from the middle towards both ends left and right, check horizontal position using a spirit level
- small adjustments are still possible when screws are not fully tightened