

KEPLER

Arihiro Miyake

La collection Kepler est réalisée en aluminium extrudé peint, dont la ligne continue est obtenue grâce à un processus de fabrication tridimensionnel développé par Nemo. Conçue sur la base du principe mathématique de la bande de Möbius. Diffuseur en technopolymère opaque.



DOWNLIGHT 2700K

LAMPING

| | |
|-------------------|--|
| Source | linear LED |
| Total power | 83W |
| Emission | diffused |
| Switching | dimmable 1-10V |
| Tension | 110-240V |
| Color temperature | 2700K |
| Luminous flux | 4800lm |
| Typ CRI | 85 |
| IP class | 20 |
| Materials | aluminium + PC |
| Notes | adjustable cable length from 2,5m to 0,4m, DALI version on request, TRIAC VERSION on request |
| Net lamp weight | 9 kg |

Codes

KEP LWW 54
KEP LNN 54
KEP LOW 54

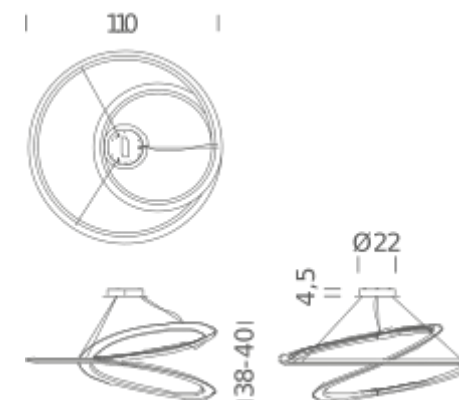
Structure

white
black
gold

PACKAGE

Package 01 Dimension: 121x121x52 cm / Gross weight: 19 kg

Certificazioni



DOWNLIGHT 3000K

LAMPING

| | |
|-------------------|--|
| Source | linear LED |
| Total power | 83W |
| Emission | diffused |
| Switching | dimmable 1-10V |
| Tension | 110-240V |
| Color temperature | 3000K |
| Luminous flux | 4800lm |
| Typ CRI | 85 |
| IP class | 20 |
| Materials | aluminium + PC |
| Notes | adjustable cable length from 2,5m to 0,4m, DALI version on request |
| Net lamp weight | 9 kg |

Codes

KEP LWW 52
KEP LNN 52
KEP LOW 52

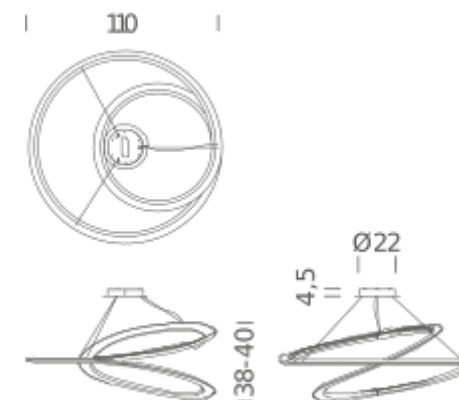
Structure

white
black
gold painted

PACKAGE

Package 01 Dimension: 121x121x52 cm / Gross weight: 19 kg

Certificazioni



UPLIGHT 2700K

LAMPING

| | |
|-------------------|--|
| Source | linear LED |
| Total power | 83W |
| Emission | diffused indirect |
| Switching | dimmable 1-10V |
| Tension | 110-240V |
| Color temperature | 2700K |
| Luminous flux | 4800lm |
| Typ CRI | 85 |
| IP class | 20 |
| Materials | aluminium + PC |
| Notes | adjustable cable length from 2,5m to 0,4m, DALI version on request |
| Net lamp weight | 9 kg |

Codes

KEP LWW 53
KEP LNN 53
KEP LOW 53

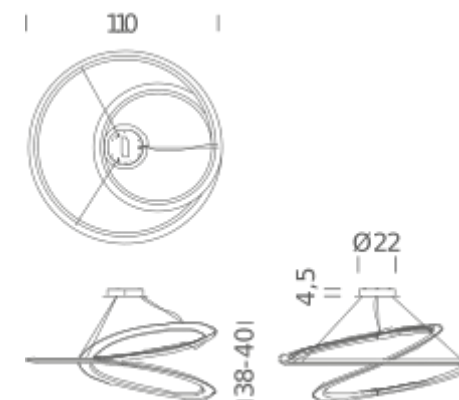
Structure

white
black
gold painted

PACKAGE

Package 01 Dimension: 121x121x52 cm / Gross weight: 19 kg

Certificazioni



UPLIGHT 3000K

LAMPING

| | |
|-------------------|--|
| Source | linear LED |
| Total power | 83W |
| Emission | diffused indirect |
| Switching | dimmable 1-10V |
| Tension | 110-240V |
| Color temperature | 3000K |
| Luminous flux | 4800lm |
| Typ CRI | 85 |
| IP class | 20 |
| Materials | aluminium + PC |
| Notes | adjustable cable length from 2,5m to 0,4m, DALI version on request |
| Net lamp weight | 9 kg |

Codes

KEP LWW 51
KEP LNN 51
KEP LOW 51

Structure

white
black
gold

PACKAGE

Package 01 Dimension: 121x121x52 cm / Gross weight: 19 kg

Certificazioni

