

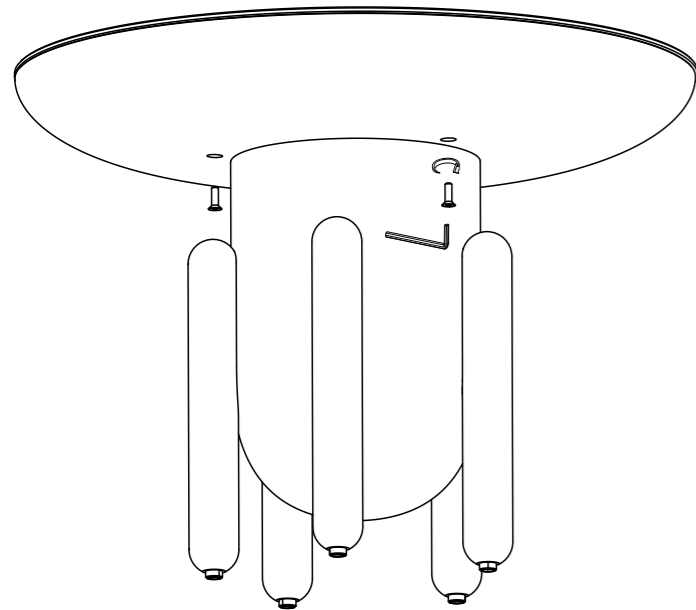
ASSEMBLING INSTRUCTIONS

Explorer Side Table - Glass replacement



1

Unscrew the three screws at the bottom with an allen key and remove the glass.

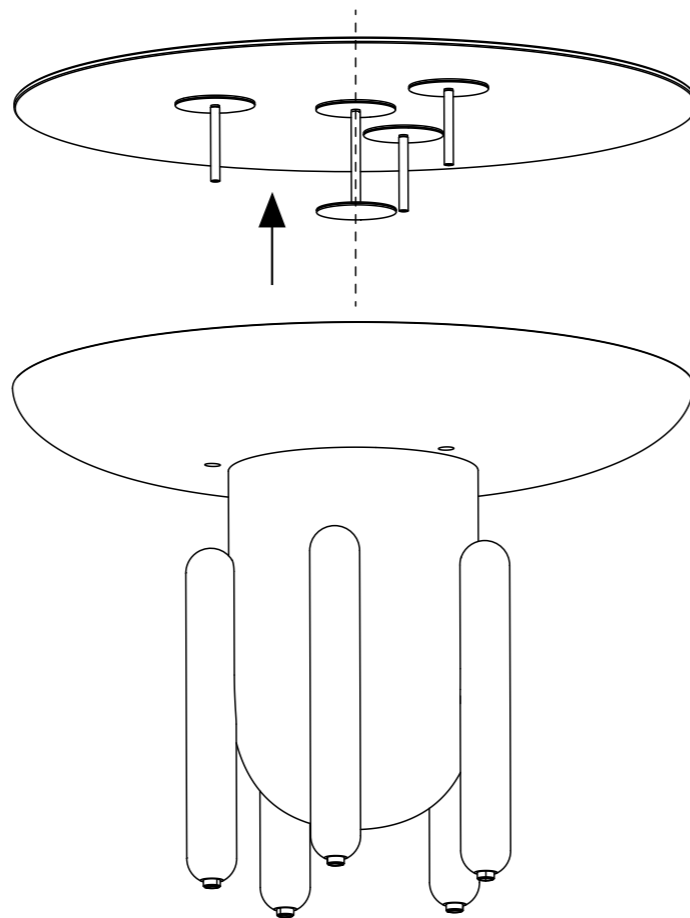


- Use a 4mm Allen key



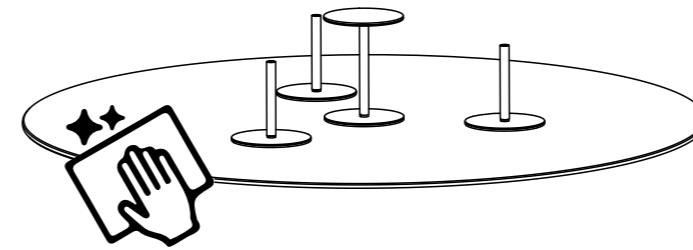
2

Take the glass out.



3

Carefully clean the interior surface of the glass using soap water or glass cleaner.



4

Place the glass aligning all screws and fix again using the key.

