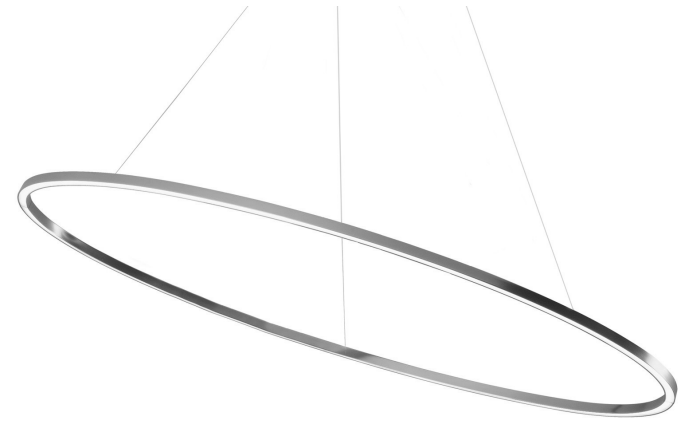


ELLISSE PENDANT MAJOR

Federico Palazzari

Realised in various versions through an innovative technology developed by Nemo for coupling extrusions, Ellisse guarantees diffused direct and indirect lighting with the LED housed within the structure while remaining unobtrusive. The design is linear and contemporary, while an elegant black marble base becomes a pedestal for the floor version.



DOWNLIGHT 2700K

LAMPING

Source	linear LED
Total power	69W
Emission	diffused
Switching	dimnable 1-10V
Tension	110-240V
Color temperature	2700K
Luminous flux	3450lm
Typ CRI	85
IP class	20
Materials	Aluminium
Notes	adjustable cable length from 2,5m to 0,4m, DALI version on request, TRIAC VERSION on request

Codes

ELP LW2 54
ELP LN2 54
ELP LO2 54
ELP LL2 54
ELP LGW 54

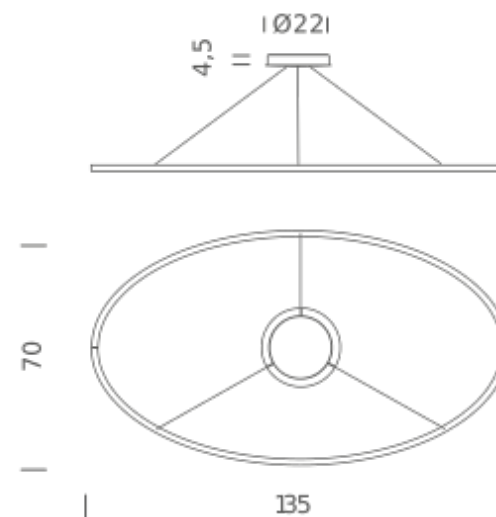
Structure

white
black
gold painted
polished aluminium
gold polished anodized

PACKAGE

Package 01 Dimension: 15x80x150 cm / Gross weight: 7,5 kg

Certificazioni



DOWNLIGHT 3000K

LAMPING

Source	linear LED
Total power	69W
Emission	diffused
Switching	dimnable 1-10V
Tension	110-240V
Color temperature	3000K
Luminous flux	3450lm
Typ CRI	85
IP class	20
Materials	Aluminium
Notes	adjustable cable length from 2,5m to 0,4m, DALI version on request

Codes

ELP LWW 54
ELP LNW 54
ELP LOW 54
ELP LLW 54

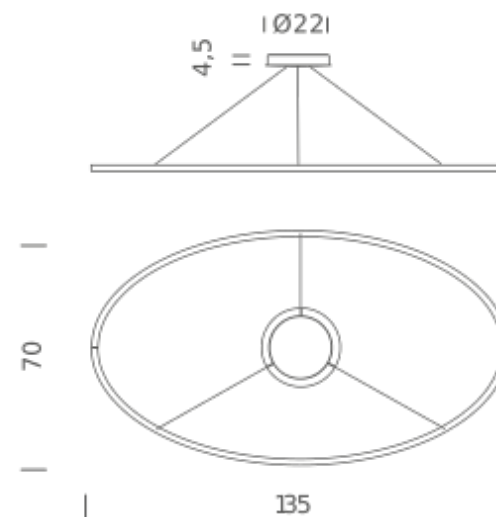
Structure

white
black
gold painted
polished aluminium

PACKAGE

Package 01 Dimension: 15x80x150 cm / Gross weight: 7,5 kg

Certificazioni



UPLIGHT 2700K

LAMPING

Source	linear LED
Total power	69W
Emission	diffused
Switching	dimnable 1-10V
Tension	110-240V
Color temperature	2700K
Luminous flux	3450lm
Typ CRI	85
IP class	20
Materials	Aluminium
Notes	adjustable cable length from 2,5m to 0,4m, DALI version on request

Codes

ELP LW2 53
ELP LN2 53
ELP LO2 53
ELP LL2 53
ELP LGW 53

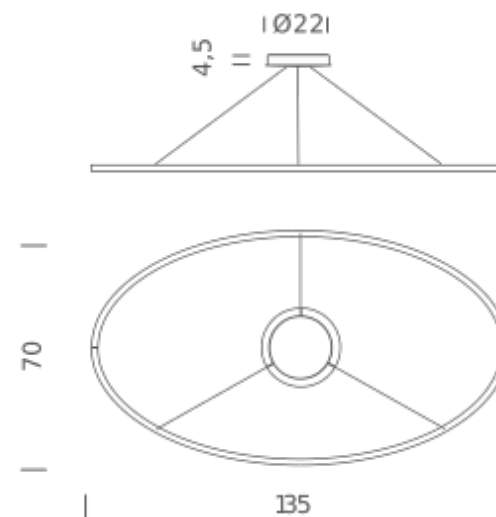
Structure

white
black
gold painted
polished aluminium
gold polished anodized

PACKAGE

Package 01 Dimension: 15x80x150 cm / Gross weight: 7,5 kg

Certificazioni



UPLIGHT 3000K

LAMPING

Source	linear LED
Total power	69W
Emission	diffused
Switching	dimnable 1-10V
Tension	110-240V
Color temperature	3000K
Luminous flux	3450lm
Typ CRI	85
IP class	20
Materials	Aluminium
Notes	adjustable cable length from 2,5m to 0,4m, DALI version on request

Codes

ELP LWW 53
ELP LNW 53
ELP LOW 53
ELP LLW 53

Structure

white
black
gold painted
polished aluminium

PACKAGE

Package 01 Dimension: 15x80x150 cm / Gross weight: 7,5 kg

Certificazioni

